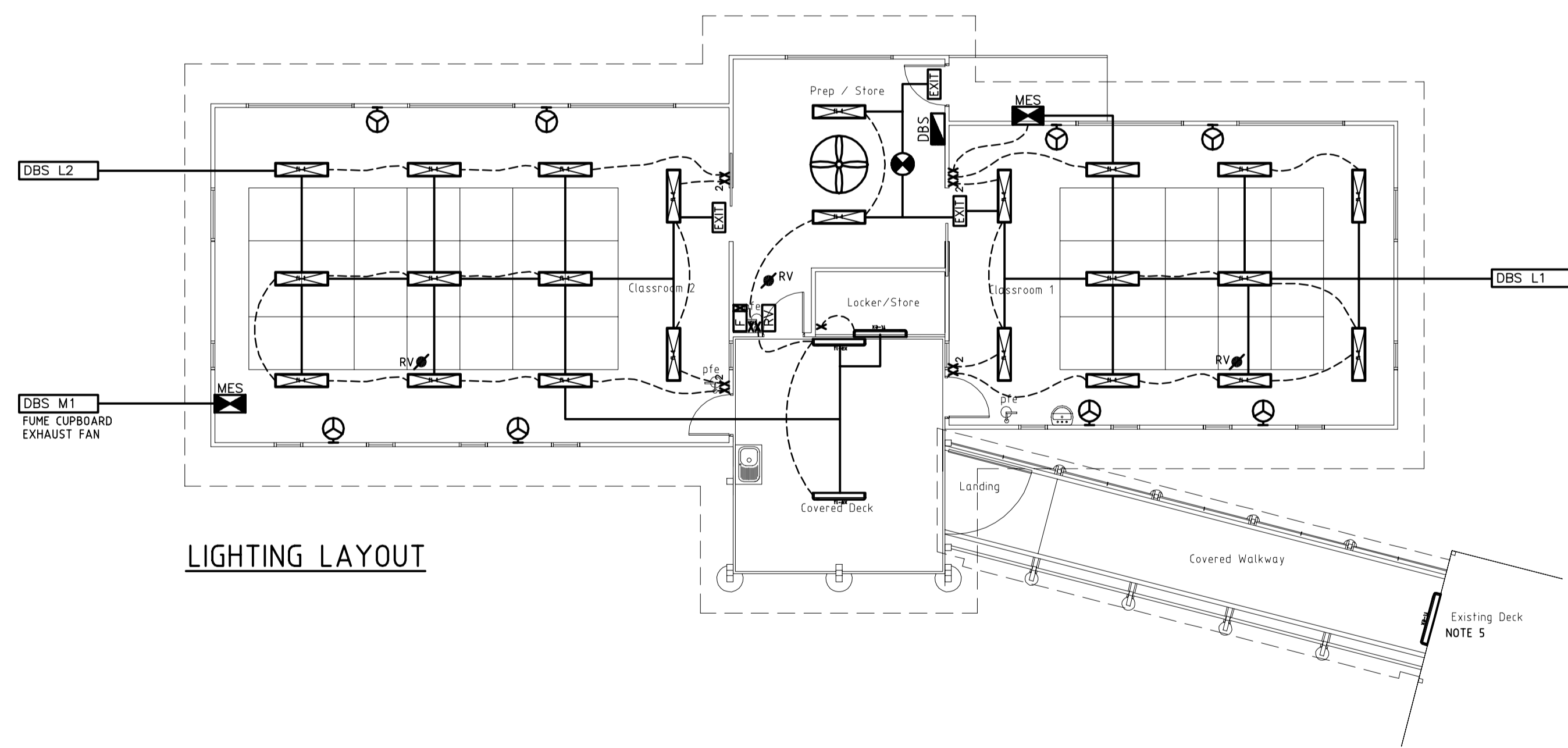


POWER LAYOUT



LIGHTING LAYOUT

POWER LEGEND

- SINGLE GPO
- DOUBLE GPO
- SINGLE DATA/COMMS OUTLET
- TELEPHONE OUTLET
- 1000 MOUNTING HEIGHT IN mm
- GPO MASTER CONTROL SHUT OFF BUTTON
- GAS SHUT OFF SOLENOID
- HOT WATER UNIT

LIGHTING LEGEND

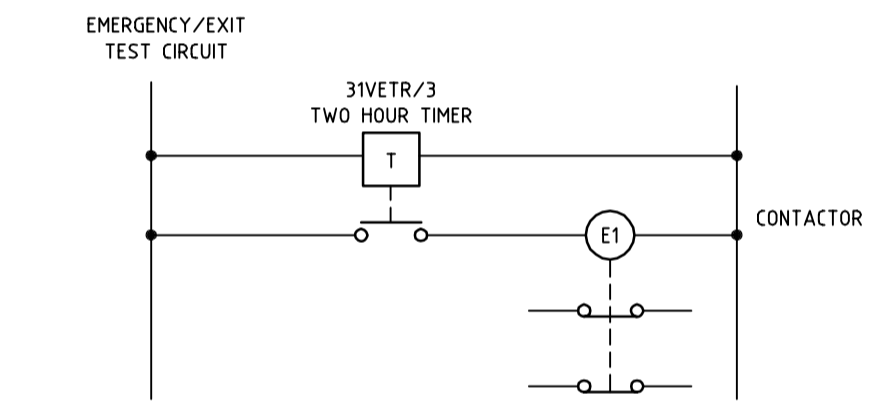
- FLUORESCENT LIGHT - ZUMTOBEL TECTON RGL 2/28W
- EXTERNAL FLUORESCENT - ZUMTOBEL SCUBA PC 1/28W
- EXHAUST FAN
- EMERGENCY EXIT SIGN - LED
- DISTRIBUTION BOARD
- 2-WAY LIGHT SWITCH
- LIGHT SWITCH
- EMERGENCY LIGHT - LED
- ROOF VENT DAMPER SUPPLY
- ROOF VENT CONTROL
- CEILING FAN - 4HS1200R - WHITE
- FAN CONTROLLER
- WALL FAN - FAN MASTER ICF450N

POWER NOTES

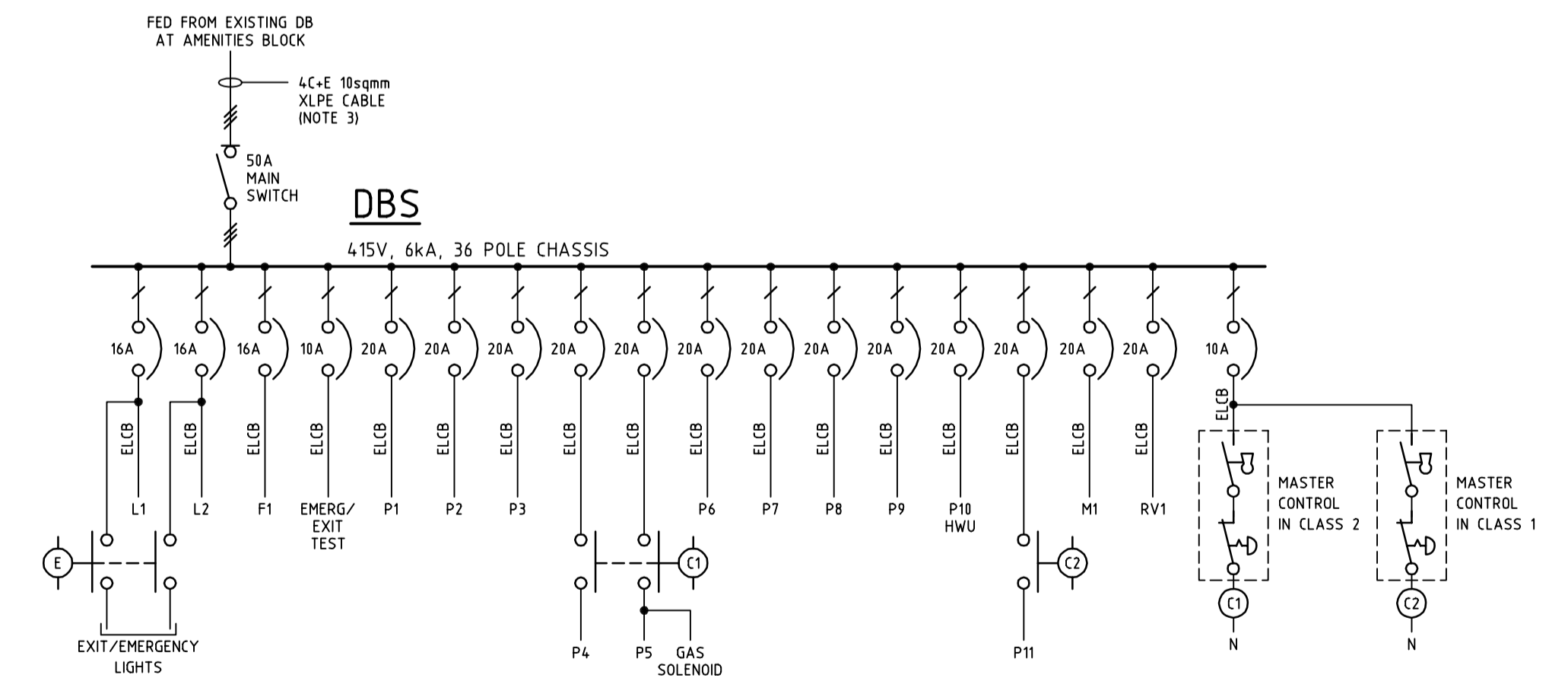
1. DRAWINGS TO BE READ IN CONJUNCTION WITH ARCHITECTURAL AND FURNITURE LAYOUTS.
2. POWER AND DATA OUTLETS ARE NOT SHOWN TO SCALE. THEREFORE ACTUAL POSITION OF OUTLETS ARE TO BE WITHIN THE GENERAL AREA OF THE DIAGRAMMATIC LAYOUT.
3. USE EXISTING SPARE CABLE PROVIDED IN VICINITY OF NEW BUILDING IF SUITABLE.
4. CONNECT NEW DATA OUTLETS VIA COVERED WALKWAY BACK TO ADJACENT CLASSROOM BLOCK.

LIGHTING NOTES

1. DRAWING TO BE READ IN CONJUNCTION WITH ARCHITECTURAL AND FURNITURE LAYOUTS.
2. MOUNT LIGHT SWITCHES AT 1100mm AFFL OR DIRECTLY BELOW SILL WHERE 1100mm CANNOT BE ACHIEVED.
3. MOUNT EXIT LIGHTS AT 2400mm AFFL.
4. LIGHTS IN CLASSROOMS TO BE WIRE SUSPENDED AT 2200mm.
5. CONNECT LIGHT TO EXISTING DECK LIGHT CIRCUIT.



TYPICAL EMERGENCY / EXIT TEST TIMERS

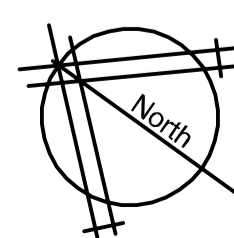


SINGLE LINE DIAGRAM

N.T.S.

FOR TENDER

REV	DESCRIPTION	BY	APP.	DATE
C	TENDER ISSUE	AD	PM	13.12.12
B	APPROVAL ISSUE	AD	PM	6.12.12
A	PRELIMINARY ISSUE	AD	PM	20.11.12
	REVISION DETAILS	BY	APP.	DATE



DRAWING STATUS	Reviewed By:	Signature	Date
Preliminary	PH	PH	20.11.12
For Information Only	PH	PH	6.12.12
For Approval	PH	PH	13.12.12
For Tender			
For Construction			

DESIGN BY:
ELECTRICAL PROJECTS AUSTRALIA P/L
(Pty Ltd / A.C.N. 053 112 502)

386 Maitland Road,
P.O. Box 365
MAYFIELD NSW 2304
PHONE: (02) 4967 5999
FAX: (02) 4967 5933



PROJECT:
LINUWEL STEINER SCHOOL

CLIENT:
ROGER ACKLAND ARCHITECTS

LOCATION:
133 MORPETH RD,
EAST MAITLAND NSW 2323

DRAWING:
SCIENCE & CLASSROOM FACILITY
POWER & LIGHTING LAYOUT
& SINGLE LINE DIAGRAM

DATE: 20.11.12 DRAWN: AD

SCALE: 1:100@A1 DESIGN: PM

PROJECT No. 12260 DRAWING No. E01 ISSUE: C